



Magswitch Technology, Inc.
 8774 Yates Dr. Suite 140
 Westminster, CO 80031
 Magswitch.com.au
 303-468-0662

Magswitch BoomerAngle 600

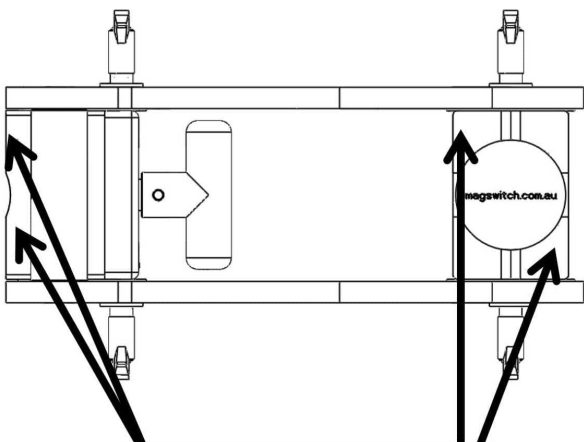
P/N: 8100090

With the Magswitch Magnetic Extenda-Lift, you can pick up and move steel without bending over and using your hands; offering convenience and safety advantages. You can pick up plate, pipe, or steel scrap off the floor with ease. Also works great for picking up hot, sharp or dirty steel without touching it. Extenda-Lift 600 has 600 lbs (272 kg) of hold force. Extenda-Lift 1000 has 1000 lbs (454 kg) of hold force. Ideal for cities and utilities. Valve box and small lid removal.



WARNING!
Do Not Operate Unless In
Contact With Ferrous Target

SPECIFICATIONS	
P/N: 8100090 - MAGSWITCH BoomerAngle 600	
Max Breakaway*	600 lbs/272 kg
Full Saturation Thickness	3/8" / 10mm
2:1 Shear Working Load*	61 lbs/ 27 kg
Net Weight	9.7 lbs/4.4 kg
Overall Height	272 mm
Magnetic Pole Footprint	75mm x 51.5mm

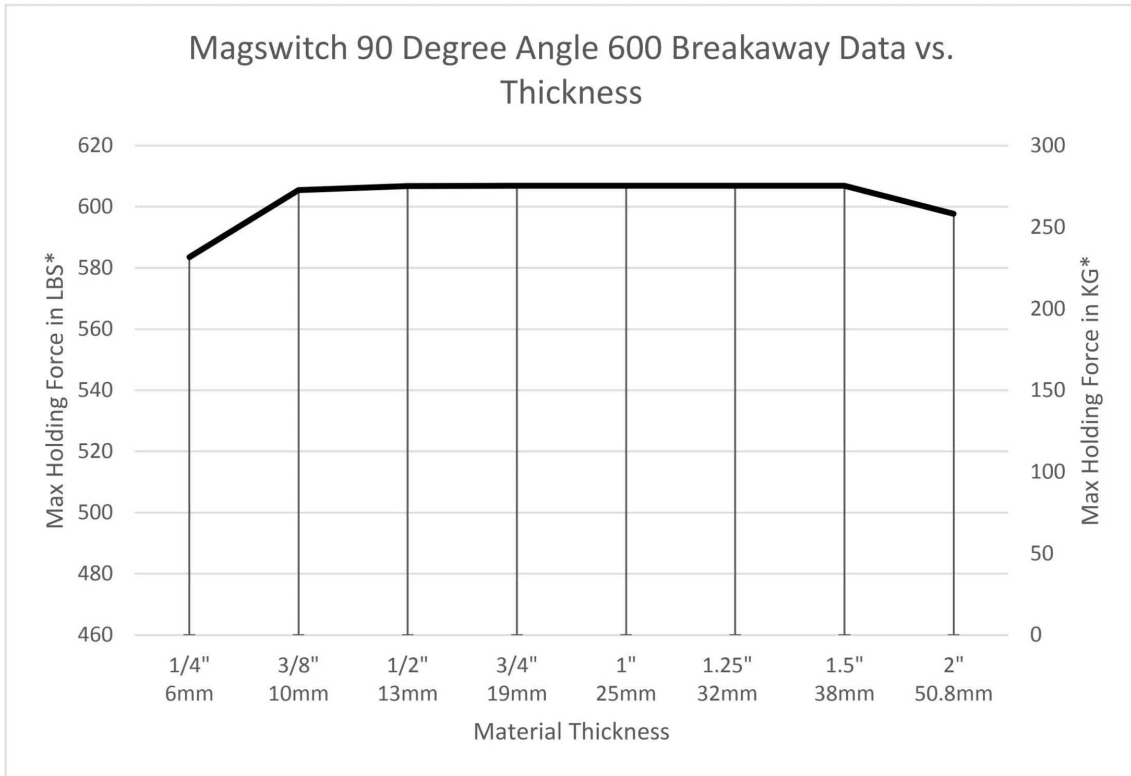


WORKING SURFACE



Part Number 110692
 Revision Date: June 26, 2012

* Max Breakaway determined in laboratory environment on 2" thick SAE1018 Steel with surface roughness 63 micro inches. Many factors contribute to the actual breakaway force in each application. Always test the magswitch in each application before deployment. Refer to the magswitch information booklet for more information.



Sales & Service by :



PRECICUT TECHNOLOGIES

Address : S. No. 44/6/1, Pimpale Gurav, New Sangavi, Pune – 411061

Email: fulmaliavinash@gmail.com Mob : 9823048288



Part Number 110692
Revision Date: June 26, 2012

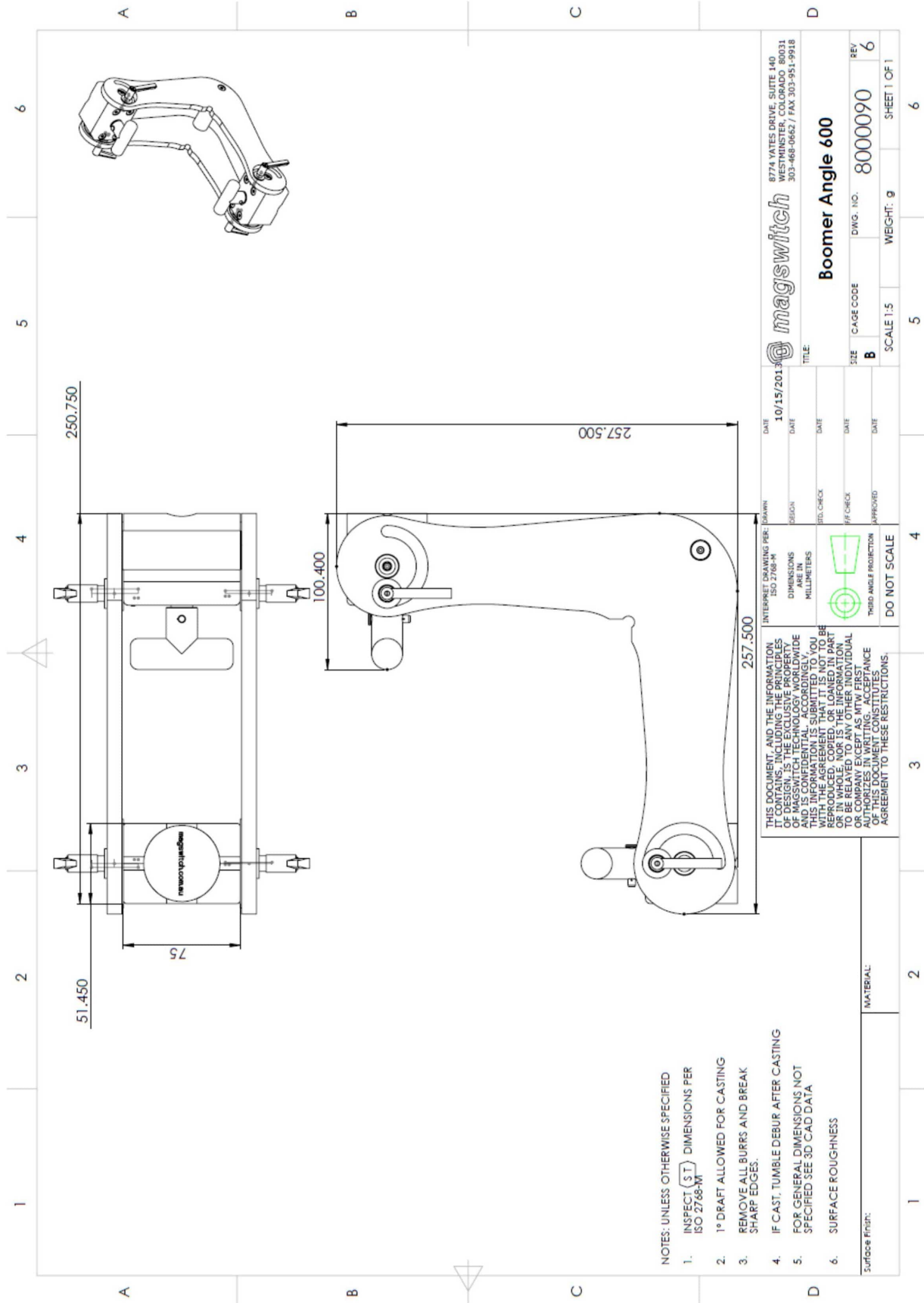
* Max Breakaway determined in laboratory environment on 2" thick SAE1018 Steel with surface roughness 63 micro inches. Many factors contribute to the actual breakaway force in each application. Always test the magswitch in each application before deployment. Refer to the magswitch information booklet for more information.



Part Number 110692
Revision Date: June 26, 2012



PRECUT TECHNOLOGIES



NOTES: UNLESS OTHERWISE SPECIFIED

1. INSPECT (S,T) DIMENSIONS PER ISO 2768-M
2. 1° DRAFT ALLOWED FOR CASTING
3. REMOVE ALL BURRS AND BREAK SHARP EDGES.
4. IF CAST, TUMBLE DEBUR AFTER CASTING
5. FOR GENERAL DIMENSIONS NOT SPECIFIED SEE 3D CAD DATA
6. SURFACE ROUGHNESS

Surface Finish:

MATERIAL:

THIS DOCUMENT AND THE INFORMATION IT CONTAINS, INCLUDING THE PRINCIPLES OF DESIGN, IS THE EXCLUSIVE PROPERTY OF MAGSWITCH TECHNOLOGY WORLDWIDE. THIS INFORMATION IS SUBMITTED TO YOU WITH THE AGREEMENT THAT IT IS NOT TO BE REPRODUCED, COPIED, OR LOANED IN PART TO ANY OTHER INDIVIDUAL OR COMPANY EXCEPT AS MTW FIRST AUTHORIZES IN WRITING. ACCEPTANCE OF THIS INFORMATION CONSTITUTES AN AGREEMENT TO THESE RESTRICTIONS.

INTERPRET DRAWING PER ISO 2768-M
DIMENSIONS ARE IN MILLIMETERS
THIRD ANGLE PROJECTION
DO NOT SCALE

DATE	10/15/2013	DATE	
DRAWN		CHECKED	
DESIGN		APPROVED	
SIZE	B	DWG. NO.	8000090
TITLE	Boomer Angle 600		
SCALE	1:5	WEIGHT	9
SHEET	1	OF	1

8774 YATES DRIVE, SUITE 140
WESTMINSTER, COLORADO 80031
303-468-0662 / FAX 303-951-9918



REV 6