

Magswitch 90 Degree Angle 165

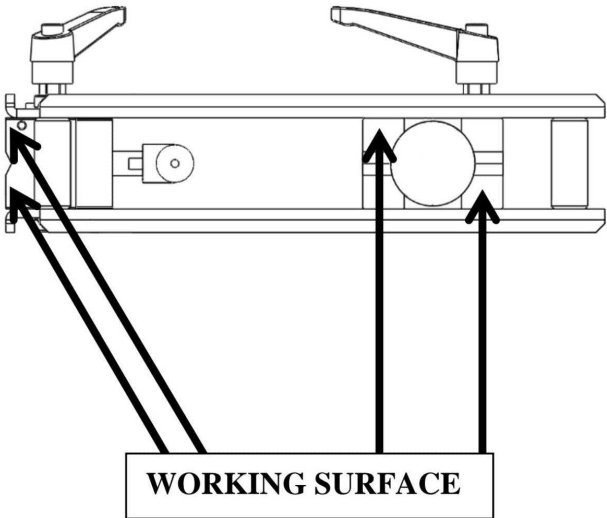
P/N: 8100548

Magswitch 90 degree Welding Angles are the most versatile in the market. Featuring the benefits of Magswitch including incredible power and precision control, the Magswitch 90 degree angles are easy to use, and can be used with larger and heavier steel. All Magswitch 90 degree angles allow you to reposition the magnets up or down on each axis, or reverse from outside to inside. If you want more strength, just add more Magswitch MagSquares.



WARNING!
Do Not Operate Unless In Contact With Ferrous Target

| SPECIFICATIONS | |
|---|-----------------|
| P/N: 8100548 - MAGSWITCH 90 Degree Angle 165 | |
| Max Breakaway* | 150 lbs/68 kg |
| Full Saturation Thickness | 0.25"/ 6 mm |
| 2:1 Shear Working Load* | 18.5 lbs/8.4 kg |
| Net Weight | 1.8 lbs/0.8 kg |
| Overall Height | 205 mm |
| Magnetic Pole Footprint | 48mm x 31mm |

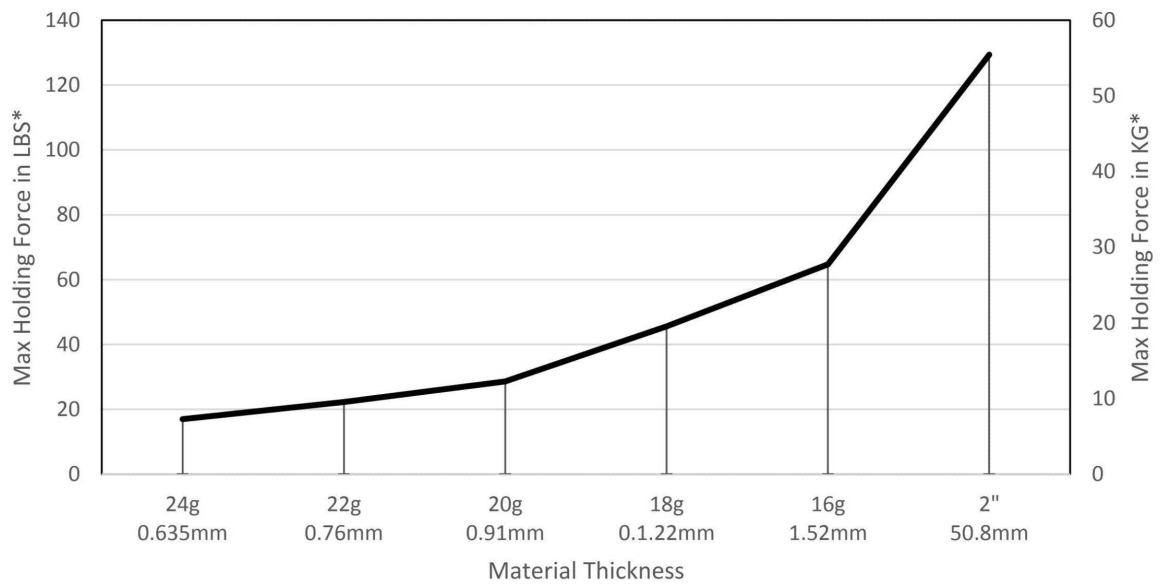


* Max Breakaway determined in laboratory environment on 2" thick SAE1018 Steel with surface roughness 63 micro inches. Many factors contribute to the actual breakaway force in each application. Always test the magswitch in each application before deployment. Refer to the magswitch information booklet for more information.



Part Number 110897
Revision Date: October, 16 2013

Magswitch 90 Degree Angle 165 Breakaway Data vs. Thickness



Sales & Service by :



PRECICUT TECHNOLOGIES

Address : S. No. 44/6/1, Pimpale Gurav, New Sangavi, Pune – 411061
Email: fulmaliavinash@gmail.com Mob : 9823048288



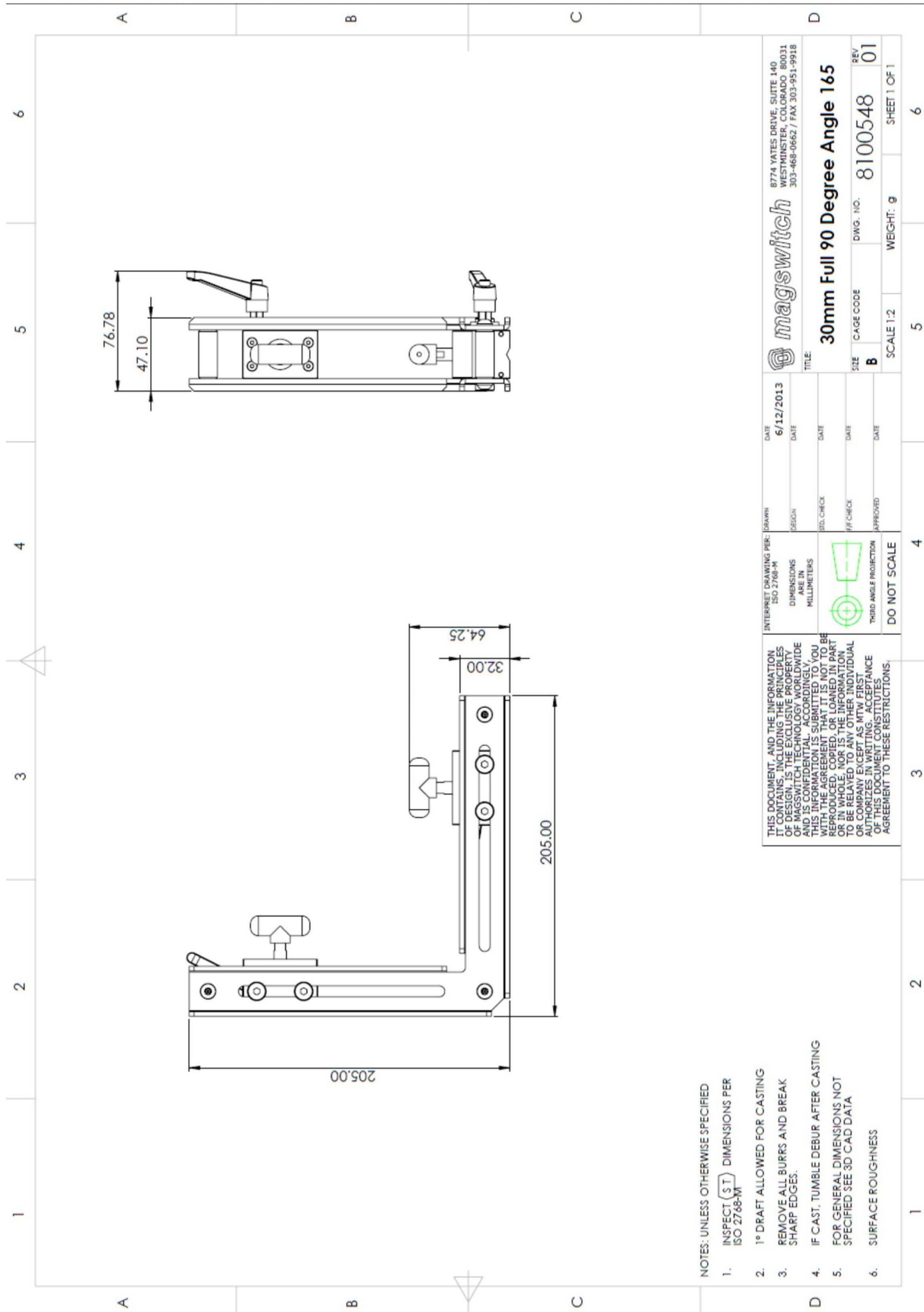
Part Number 110897
Revision Date: October, 16 2013



Part Number 110897
 Revision Date: October, 16 2013



PRECUT TECHNOLOGIES



NOTES: UNLESS OTHERWISE SPECIFIED

1. INSPECT (ST) DIMENSIONS PER ISO 2768-MT
2. 1° DRAFT ALLOWED FOR CASTING
3. REMOVE ALL BURRS AND BREAK SHARP EDGES.
4. IF CAST, TUMBLE DEBUR AFTER CASTING
5. FOR GENERAL DIMENSIONS NOT SPECIFIED SEE 3D CAD DATA
6. SURFACE ROUGHNESS

THIS DOCUMENT, AND THE INFORMATION IT CONTAINS, INCLUDING THE PRINCIPLES OF DESIGN, IS THE EXCLUSIVE PROPERTY OF PRECUT TECHNOLOGIES, INC. AND IS CONFIDENTIAL, ACCORDINGLY, THIS INFORMATION IS SUBMITTED TO YOU WITH THE AGREEMENT THAT IT IS NOT TO BE REPRODUCED, COPIED, EITHER WHOLLY OR IN WHOLE, NOR IS THE INFORMATION OR COMPANY EXCEPT AS WITH FIRST WRITTEN PERMISSION. ANY VIOLATION OF THIS DOCUMENT CONSTITUTES AGREEMENT TO THESE RESTRICTIONS.

INTERPRET DRAWING PER:
 ISO 2768-M
 DIMENSIONS ARE IN MILLIMETERS

 THIRD ANGLE PROJECTION
 DO NOT SCALE

| | | |
|------------|------|-----------|
| DRAWN | DATE | 6/12/2013 |
| DESIGN | DATE | |
| SIB. CHECK | DATE | |
| FF CHECK | DATE | |
| APPROVED | DATE | |

magswitch
 8774 VATES DRIVE, SUITE 140
 WESTMINSTER, COLORADO 80031
 303-468-0662 / FAX 303-951-9918

30mm Full 90 Degree Angle 165

SIZE: **B** CAGE CODE: **8100548** REV: **01**
 SCALE 1:2 WEIGHT: **g** SHEET 1 OF 1